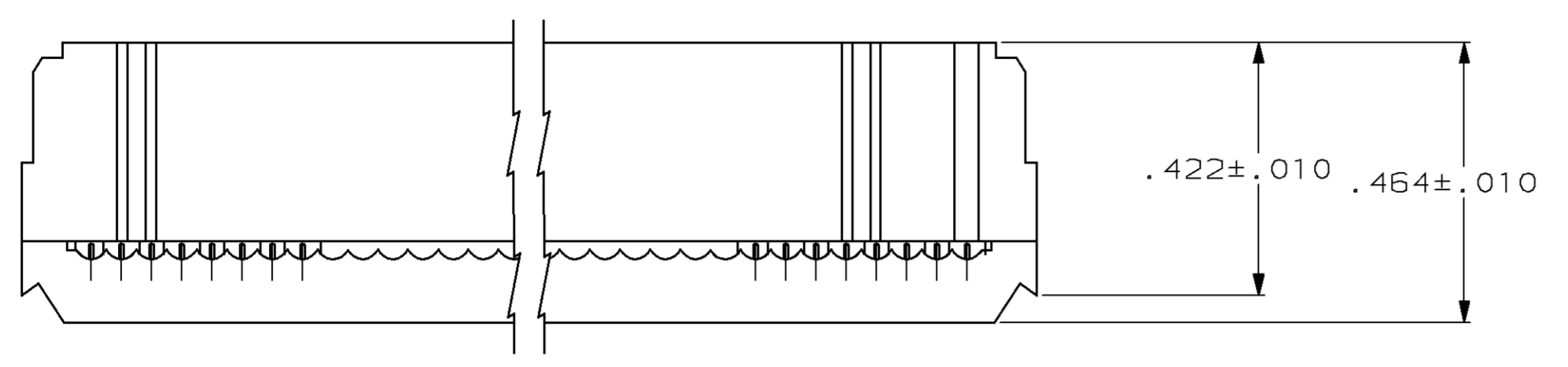


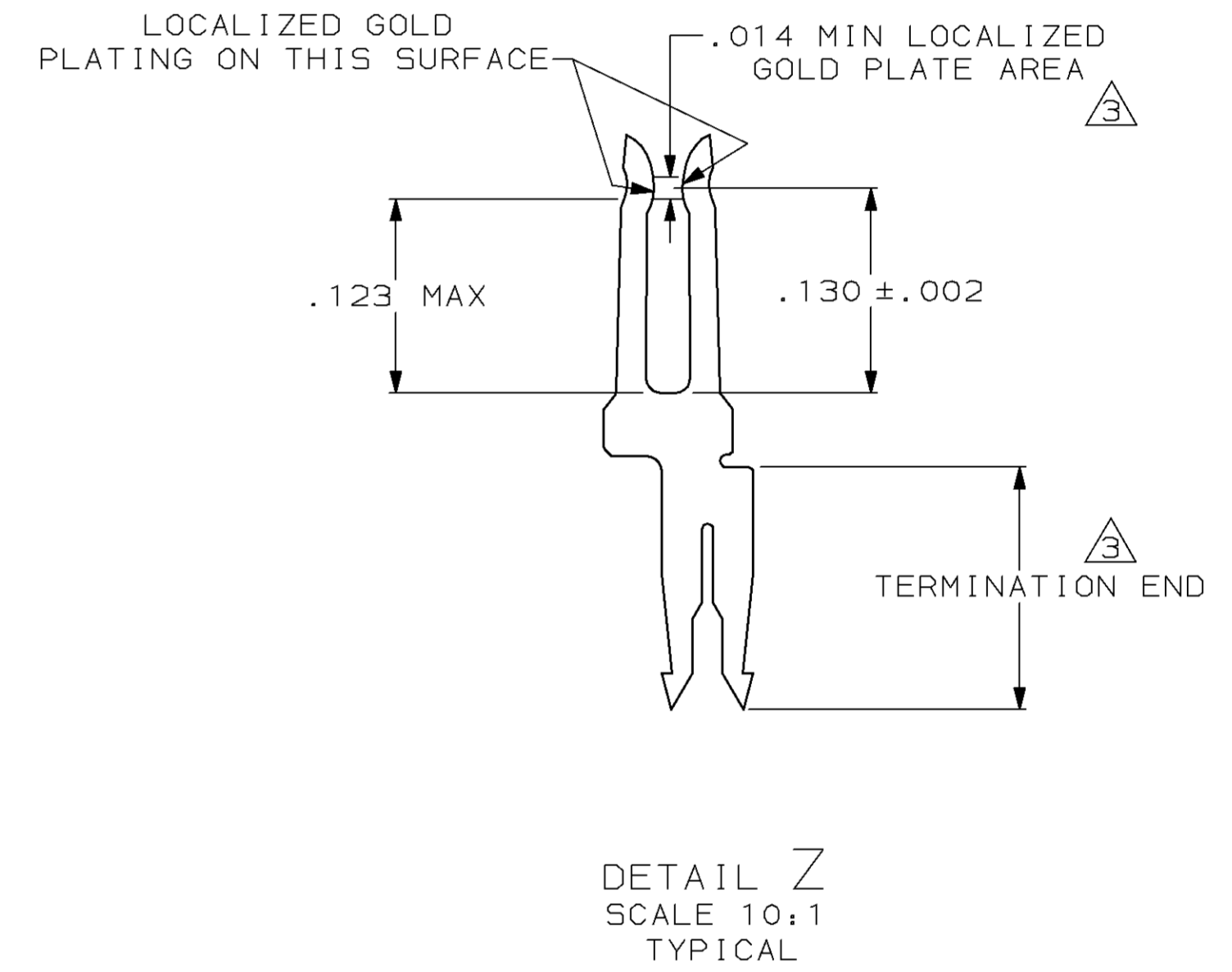
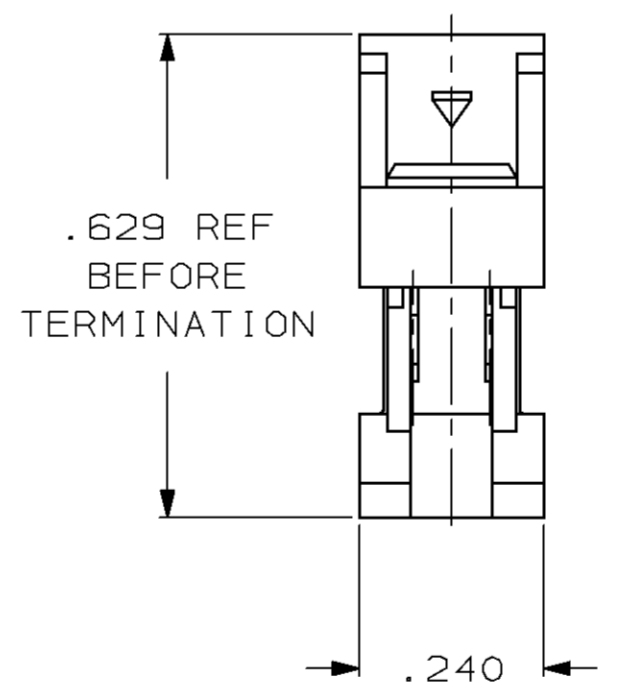
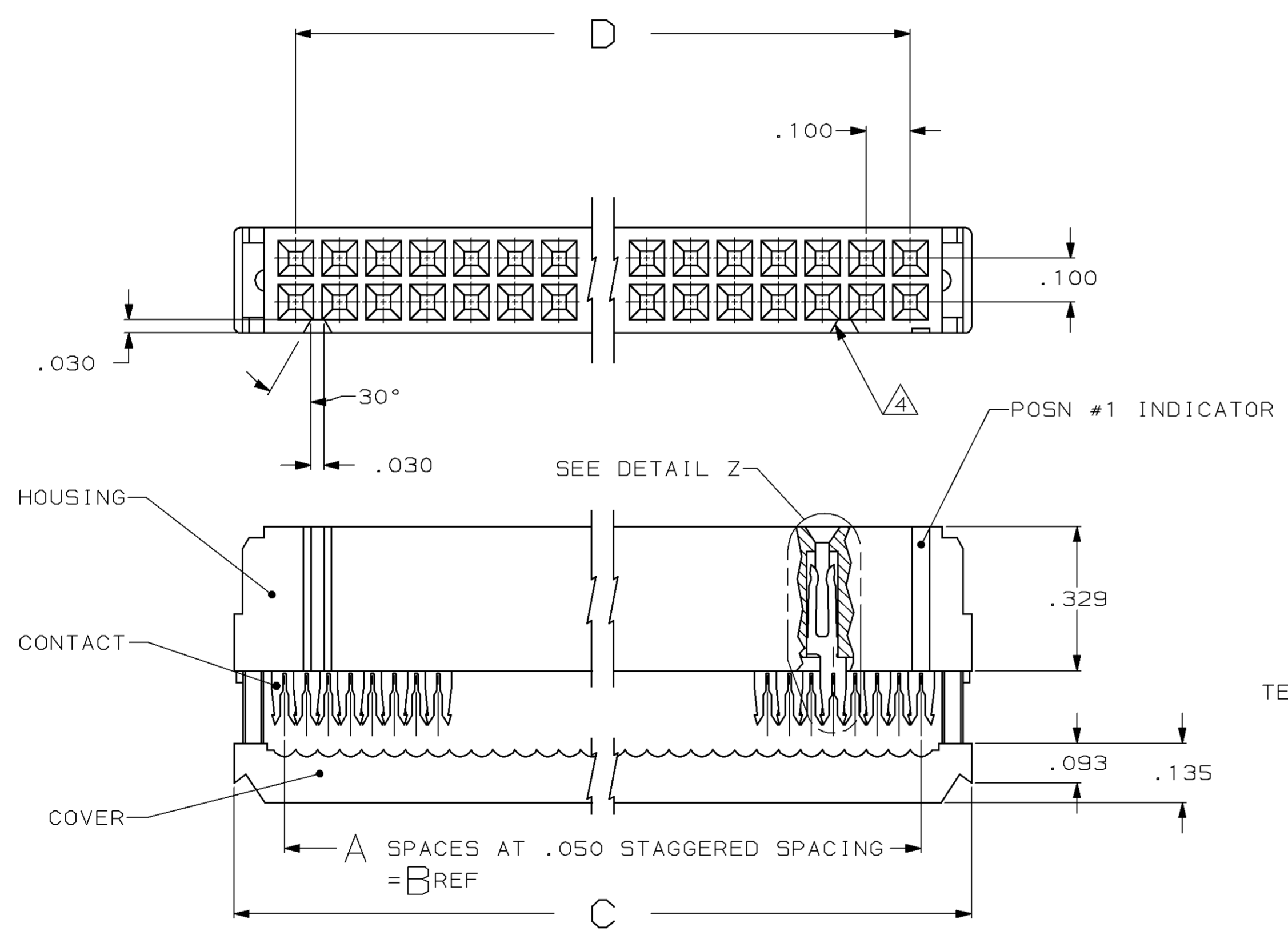
DRAWING MADE IN THIRD ANGLE PROJECTION
 THIS DRAWING IS UNPUBLISHED. RELEASED FOR PUBLICATION
 © COPYRIGHT 19 BY AMP INCORPORATED, HARRISBURG, PA. ALL INTERNATIONAL RIGHTS RESERVED. AMP PRODUCTS MAY BE COVERED BY U.S. AND FOREIGN PATENTS AND/OR PATENTS PENDING.

LOC AR		DIST	P	F	ZONE	LTR	DESCRIPTION	DATE	APPD
		35				H	REV PER ECN BD4386	12-6-90	-
						J	REV PER EC 0020-1041-93	12/01/93	JS
						K	OBS 1--3 PER EC 0020-933-93	03/15/94	DK
						L	OBSOLETE -14	21 AUG 97	JGH
							PER EC 0410-197-96		



TERMINATED VIEW

- ① UL RATED 94V-0 THERMOPLASTIC, COLOR: BLACK.
- ② PHOSPHOR BRONZE PER QQ-B-750.
- ③ PLATED WITH .000015 GOLD ON LOCALIZED GOLD PLATE AREA, .000100 - .000200 BRIGHT TIN LEAD ON TERMINATION END, ALL OVER .000050 NICKEL ON ENTIRE CONTACT.
- ④ POLARIZING FEATURE DOES NOT EXIST ON SAME END AS THE POSN #1 INDICATOR ON 10 AND 14 POSN PRODUCT.



DETAIL Z
SCALE 10:1
TYPICAL

	D	C	B	A	NO OF POSN	PART NUMBER
OBSOLETE	1.700	1.980	1.750	35	36	1-499997-4
OBSOLETE	2.100	2.380	2.150	43	44	1-499997-3
	3.100	3.380	3.150	63	64	1- -2
	2.900	3.180	2.950	59	60	1- -1
	2.400	2.680	2.450	49	50	1- -0
	1.900	2.180	1.950	39	40	-9
	1.600	1.880	1.650	33	34	-8
	1.400	1.680	1.450	29	30	-7
	1.200	1.480	1.250	25	26	-6
	1.100	1.380	1.150	23	24	-5
	.900	1.180	.950	19	20	-4
	.700	.980	.750	15	16	-3
	.600	.880	.650	13	14	-2
	.400	.680	.450	9	10	499997-1

UNLESS OTHERWISE SPECIFIED DIMENSIONS ARE IN INCHES TOLERANCES ON:		DR J. PEACHEY 2-19-86	AMP INCORPORATED Harrisburg, Pa. 17105	
2 PL DEC ±.005		CHK JAY SAUDER 3-18-86		
3 PL DEC ±.005		APPD JAY SAUDER 3-18-86	NAME RECEPTACLE KIT, AMP-LATCH NOVO,	
ANGLES ±5°		APPD D. HOFFMAN 3-18-86	MIL PLZN, 15 GOLD DUPLEX	
MATERIAL	PRODUCT SPEC 108-40000	APPLICATION SPEC 114-40005	CONTACTS, W/O STRAIN RLF	
MOLDED PARTS:	SIZE D	WEIGHT -	FSCM NO 00779	DRAWING NO 499997
CONTACTS: ②	SCALE 4:1	SHEET 1 of 1		
CONTACTS: ③	CUSTOMER DRAWING			